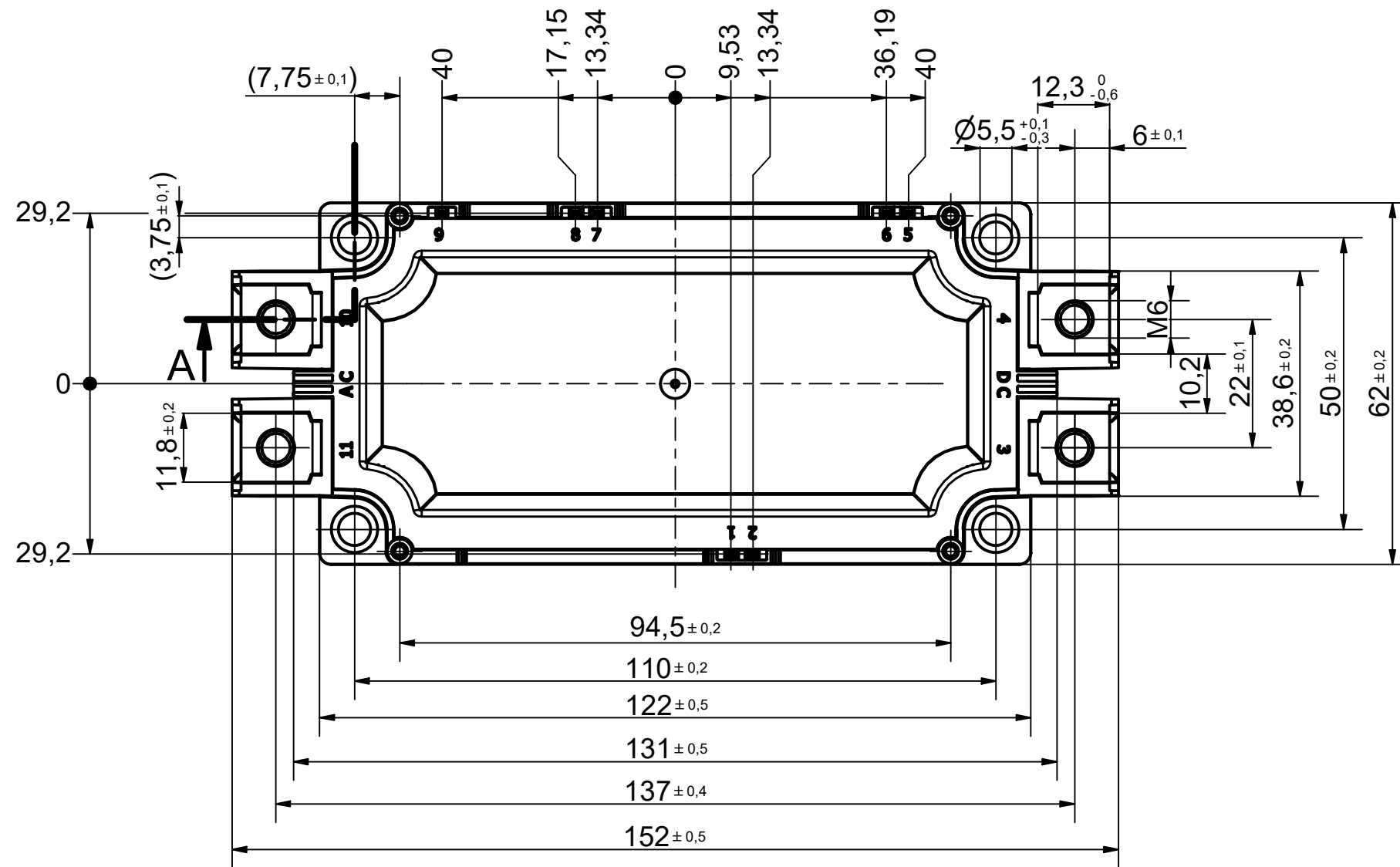
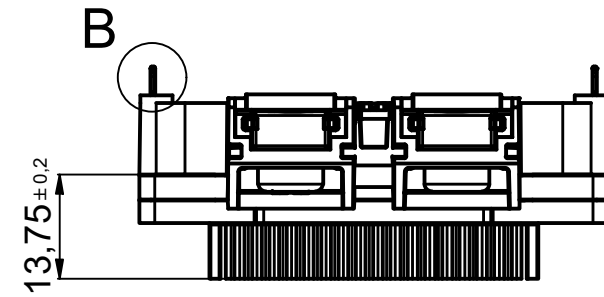
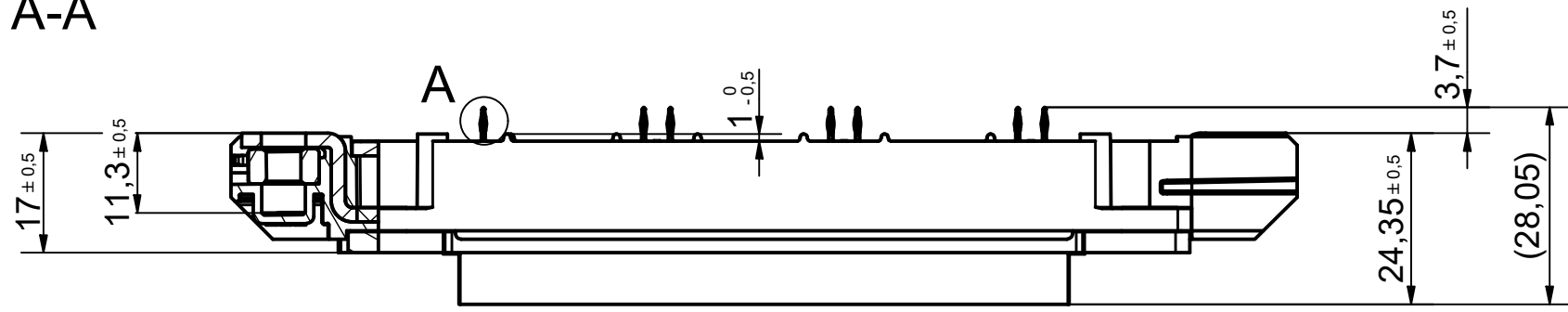
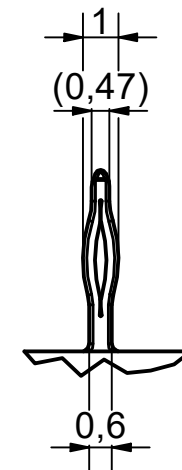


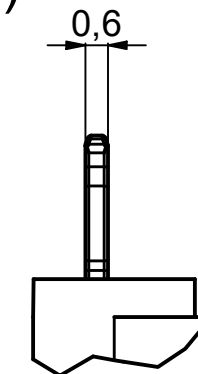
A-A



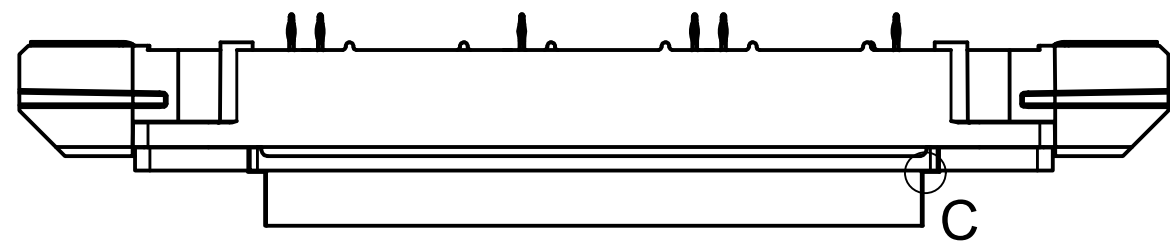
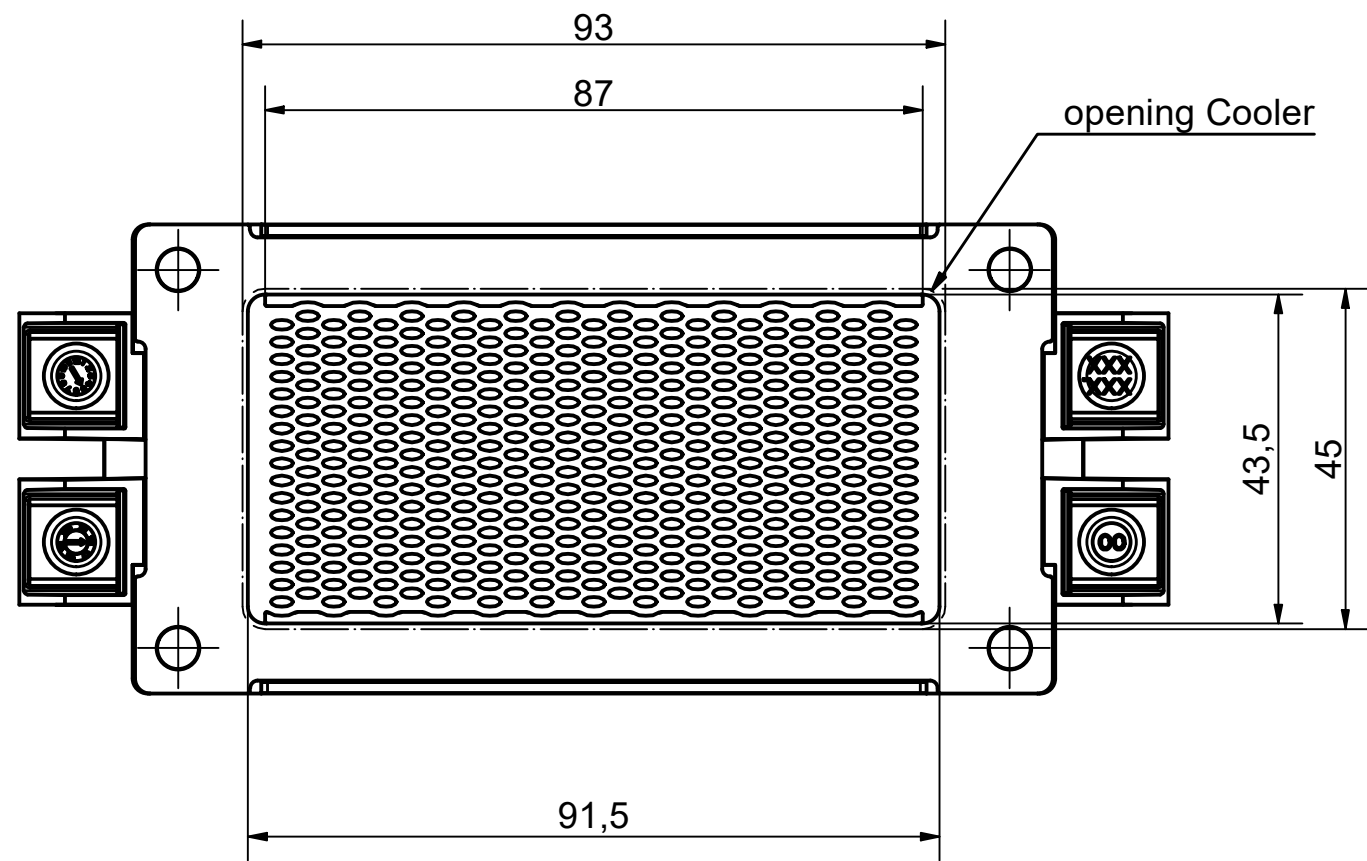
A (5:1)



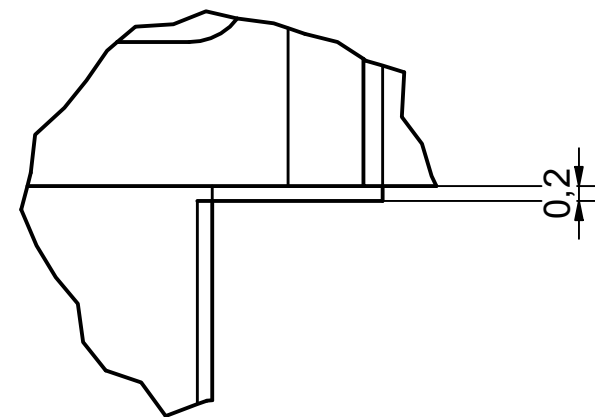
B (5:1)



prepared: 16.03.2026	Chantal Toker	Scale: 1:1	Article number: SISDxxx0ED1x0i2x_A10P
checked:		Sheet: 1/2	Description: Outline Drawing, ED next Gen
approved: 21.01.2026	Rémi Guillemain	Format: A3	Document number: DRW 0438
		STD Tolerances ISO 2768-mk ISO 1302 ISO 13715	Revision: 02



C (10 : 1)



prepared: 16.03.2026	Chantal Toker	Scale: 1 : 1	Article number: SISDxxx0ED1x0i2x_A10P
checked:		Sheet: 2 / 2	Description: Outline Drawing, ED next Gen
approved: 21.01.2026	Rémi Guillemin	Format: A3	Document number: DRW 0438
		STD Tolerances ISO 2768-mk ISO 1302 ISO 13715	Revision: 02